

Square chucks;



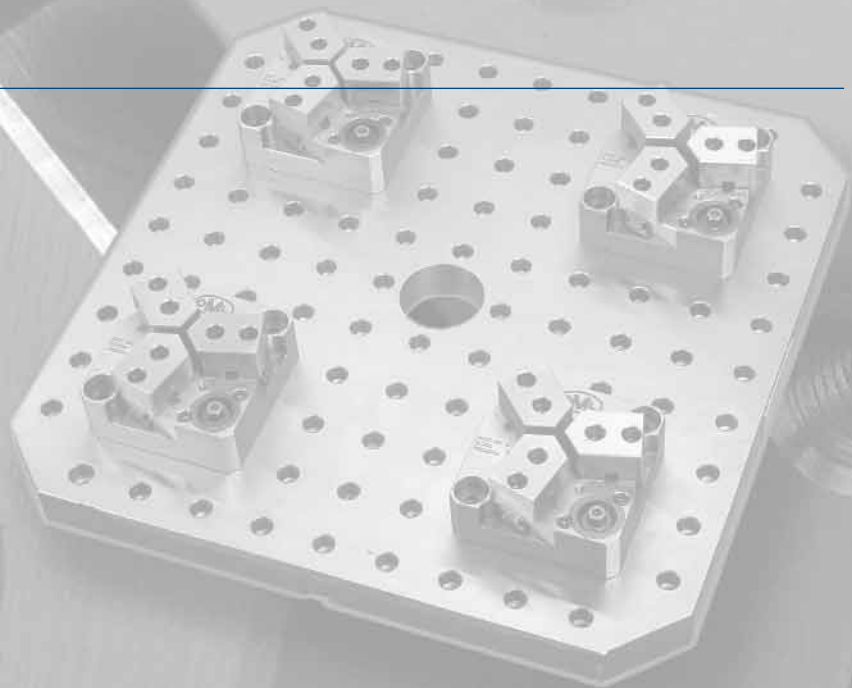
SC 3
pag. 134



SC 4
pag. 135



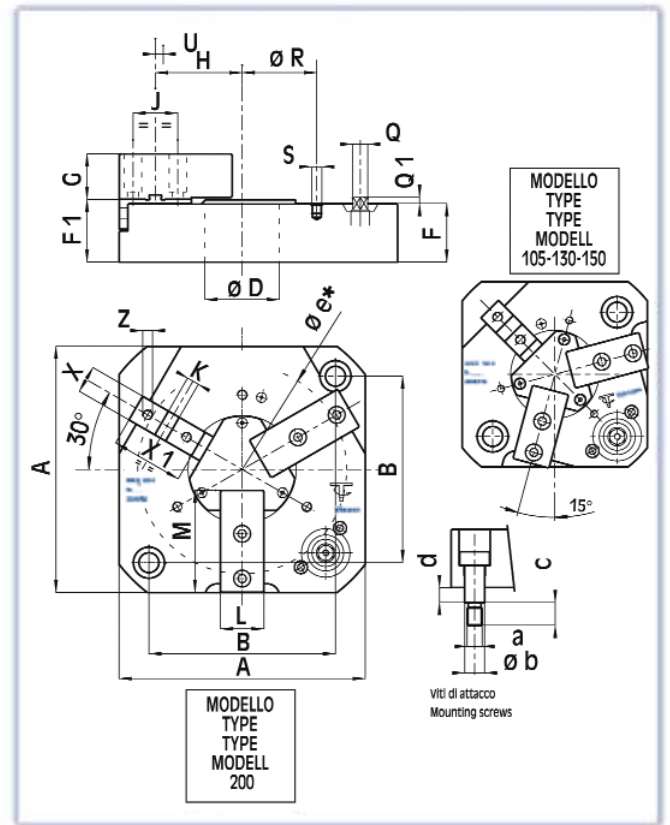
Multidex
pag. 136



SC-3

manual chucks, non-rotating with 3 jaws

Manual chucks, non-rotating, with mounting screws set of 3 soft jaws and key.



| SC-3 | | 105 | 130 | 150 | 200 | 250 | |
|--------------------------------|-------|-------|------|------|------|-------------|-----|
| A | mm | 105 | 129 | 149 | 198 | 248 | |
| B ±0.01 | mm | 80 | 100 | 100 | 150 | 200 | |
| D (H7) | mm | 12 | 22 | 42 | 60 | 45 | |
| F | mm | 47 | 47 | 47 | 47 | 47 | |
| F1 | mm | 50.5 | 50.5 | 50.5 | 50.5 | 50.5 | |
| G | mm | 26.5 | 26.5 | 26.5 | 36.5 | 36.5 | |
| G1 | mm | - | - | - | 60 | 60 | |
| H | mm | 31.2 | 40.8 | 52.1 | 69.8 | 69.8 | |
| J | mm | 26 | 26 | 26 | 36 | 36 | |
| K (h6) | mm | 10 | 10 | 10 | 10 | 10 | |
| L | mm | 30 | 30 | 30 | 35 | 35 | |
| L1 | mm | 30 | 40 | 40 | 50 | 50 | |
| M | mm | 43 | 51 | 61 | 82 | 82 | |
| M1 | mm | 49.5 | 57 | 67 | 91 | 91 | |
| Esagono - Hexagon | Q | mm | 10 | 12 | 12 | 17 | |
| Q1 | mm | 5 | 5 | 5 | 5 | 8 | |
| R-R1-R2 | mm | 56 | 70 | 90 | 120 | 120-170-220 | |
| S | mm | 3xM6 | 3xM6 | 3xM6 | 3xM8 | 9xM8 | |
| Corsa - Stroke | U | mm | 1.8 | 2.5 | 3.7 | 5 | 7.4 |
| X | mm | 20 | 20 | 20 | 22 | 22 | |
| X1 | mm | 43 | 44 | 44 | 58 | 83 | |
| Z | mm | M8 | M8 | M8 | M8 | M8 | |
| a | mm | M10 | M12 | M12 | M12 | M12 | |
| b (h6) | mm | 12 | 16 | 16 | 16 | 16 | |
| c | mm | 16.25 | 18.4 | 18.4 | 18.4 | 18.4 | |
| d | mm | 9 | 12 | 12 | 12 | 12 | |
| e (★) | mm | 79 | 100 | 120 | 168 | 218 | |
| Coppia - Torque | M max | N.m | 35 | 50 | 50 | 80 | |
| F. serr. max - Max grip. force | KN | 17 | 23 | 25 | 28 | 35 | |
| Massa (con griffe) - Weight | Kg | 4.5 | 7 | 9 | 17 | 23 | |

CODICE D'ORDINE - ORDER CODE 66040110 66040113 66040115 66040120 66040125

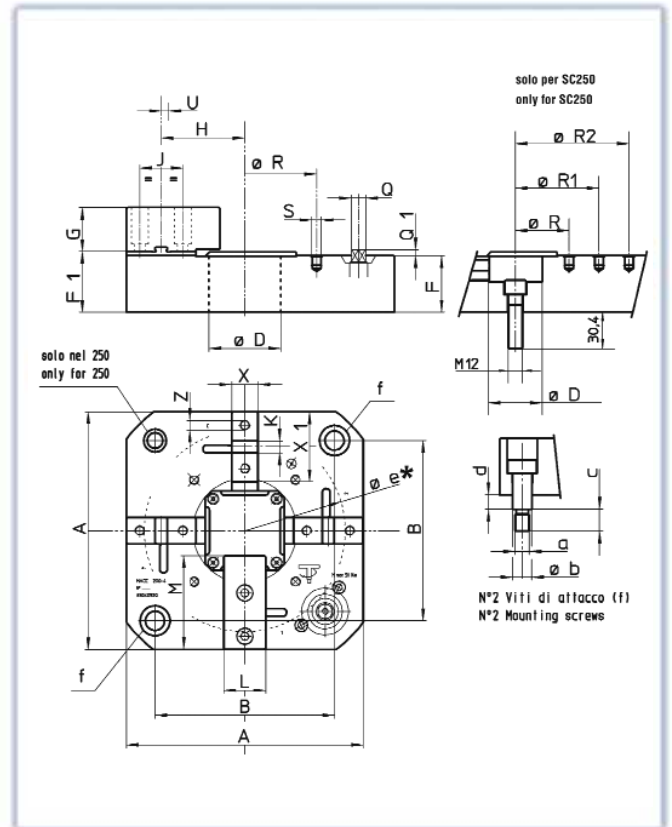
★ Max clamping diameter

| SC-3 | 105 | 130 | 150 | 200 | 250 |
|--|----------|----------|----------|----------|----------|
| <p>Standard Set-3 bloc. teneri Set-3 soft jaws</p> | 04091013 | 04091313 | 04091513 | 04092013 | 04092013 |
| RICAMBI - SPARE PARTS | | | | | |
| <p>A richiesta <i>On request</i> Set-3 bloc. teneri Set-3 soft jaws</p> | 04081013 | 04081313 | 04081513 | 04082013 | 04082013 |
| <p>Speciale - Special Set-3 bloc. teneri Set-3 soft jaws</p> | N.D. | N.D. | N.D. | 04102013 | 04102013 |
| <p>Set-3 false griffe Set-3 master jaws</p> | 04071013 | 04071313 | | 04072013 | 04072513 |
| <p>Corona Scroll</p> | 04031010 | 04031310 | 04031510 | 04032010 | 04032510 |
| <p>Boccola ritegno Support bush</p> | 04051010 | 04051310 | | 04052510 | |
| <p>Pignone Pinion</p> | 04041010 | 04041310 | | 04042510 | |
| <p>Chiave verticale Wrench</p> | 04711000 | 04711300 | | 04712500 | |
| ORDINARE SEPARATAMENTE TO BE ORDERED SEPARATELY | | | | | |

manual chucks, non-rotating with 4 jaws

SC-4

Manual chucks, non-rotating, with mounting screws set of 4 soft jaws and key.

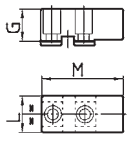
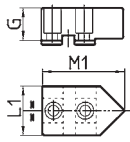
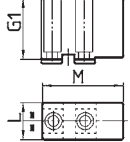
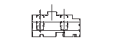
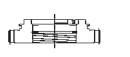


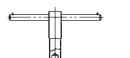


| SC-4 | | 150 | 200 | 250 | |
|-------------------|----|------|------|-------------|-----|
| A | mm | 149 | 198 | 248 | |
| B ±0.01 | mm | 100 | 150 | 200 | |
| D (H7) | mm | 42 | 60 | 45 | |
| F | mm | 47 | 47 | 47 | |
| F1 | mm | 50.5 | 50.5 | 50.5 | |
| G | mm | 26.5 | 36.5 | 36.5 | |
| G1 | mm | - | 60 | 60 | |
| H | mm | 52.1 | 69.8 | 69.8 | |
| J | mm | 26 | 36 | 36 | |
| K (h6) | mm | 10 | 10 | 10 | |
| L | mm | 30 | 35 | 35 | |
| L1 | mm | 40 | 50 | 50 | |
| M | mm | 57 | 82 | 82 | |
| M1 | mm | 67 | 91 | 91 | |
| Esagono - Hexagon | Q | mm | 12 | 12 | 17 |
| Q1 | mm | 5 | 5 | 8 | |
| R-R1-R2 | mm | 90 | 120 | 120-170-220 | |
| S | mm | 4xM6 | 4xM8 | 11xM8 | |
| Corsa - Stroke | U | mm | 2.6 | 3.6 | 5.7 |
| X | mm | 20 | 22 | 22 | |
| X1 | mm | 44 | 58 | 83 | |
| Z | mm | M8 | M8 | M8 | |
| a | mm | M12 | M12 | M12 | |
| b (h6) | mm | 16 | 16 | 16 | |
| c | mm | 18.4 | 18.4 | 18.4 | |
| d | mm | 12 | 12 | 12 | |
| e (*) | mm | 120 | 168 | 218 | |

| | | | | | |
|--------------------------------|-------|-----|----|----|----|
| Coppia - Torque | M max | N.m | 50 | 50 | 80 |
| F. serr. max - Max grip. force | | KN | 25 | 28 | 35 |
| Massa (con griffe) - Weight | | Kg | 9 | 17 | 23 |

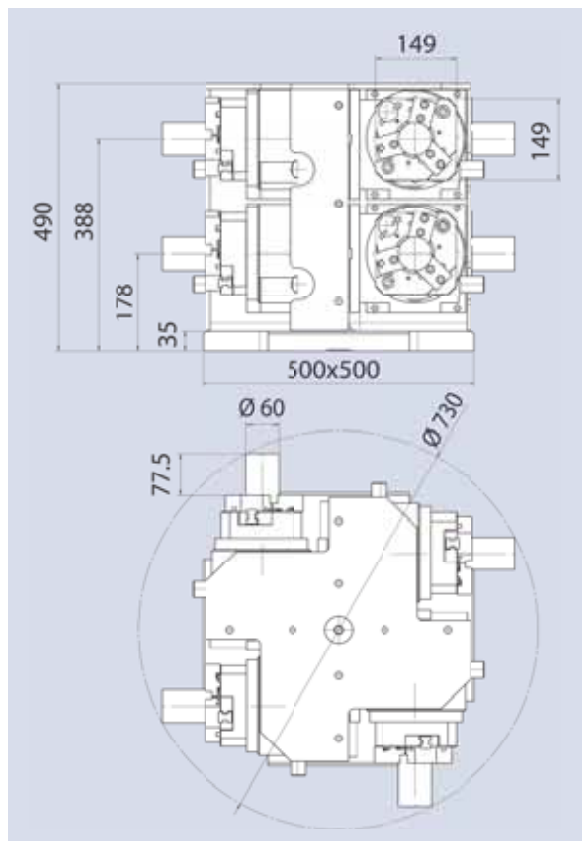
CODICE D'ORDINE - ORDER CODE 66040315 66040320 66040325

* max clamping diameter

| SC-4 | | 150 | 200 | 250 |
|---|---|----------|----------|----------|
|  | Standard Set-4 blocchetti teneri Set-4 soft jaws | 04091523 | 04092023 | 04092023 |
| RICAMBI - SPARE PARTS | | | | |
|  | A richiesta - On request Set-4 blocchetti teneri Set-4 soft jaws | 04081523 | 04082023 | 04082023 |
|  | Speciale - Special Set-4 blocchetti teneri Set-4 soft jaws | N.D. | 04102023 | 04102023 |
|  | Set-4 false griffe Set-4 master jaws | 04071323 | 04072023 | 04072523 |
|  | Corona Scroll | 04031520 | 04032020 | 04032520 |
|  | Boccola ritegno Support bush | | 04051310 | 04052510 |
|  | Pignone Pinion | | 04041310 | 04042510 |
|  | Chiave verticale Wrench | | 04711300 | 04712500 |
| ORDINARE SEPARATAMENTE TO BE ORDERED SEPARATELY | | | | |

"MULTIDEX"

"4 AXIS" CLAMPING EQUIPMENT for horizontal machining centers integrated with automatic mechanical indexing tables "TOUCHDEX" for the working of the workpieces on the 5 faces.



| Code | Model |
|--------------------|--------------------------------------|
| 33 58 98 01 | MULTIDEX FDM 150 with SC3/150 |
| 33 58 98 02 | MULTIDEX FDM 150 with SC4/150 |

