

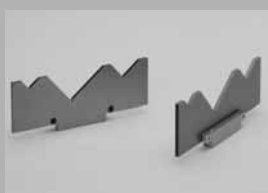
# Modular parallels and soft jaws/quick change "CLAK"



Set of parallels  
(quick change)  
pag. 115



Parallels (quick change)  
pag. 116



Angular parallels  
(quick change)  
pag. 117



V jaw (quick change)  
pag. 117



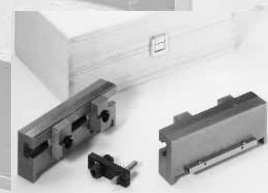
Soft jaws (quick change)  
Steel  
Aluminium  
pag. 118



Adapter plate for  
Kurt jaws  
pag. 119



Jaw with rolls  
pag. 121



Plus 3D for MC, NCN  
and DUO LOCK  
pag. 119



Pair of jaws with  
grippers UGE  
pag. 121



Middle jaw CLAK  
SYSTEM  
pag. 121



Pair of jaws  
"GRIP"  
pag. 122

# CLAK

## modular parallels/quick change

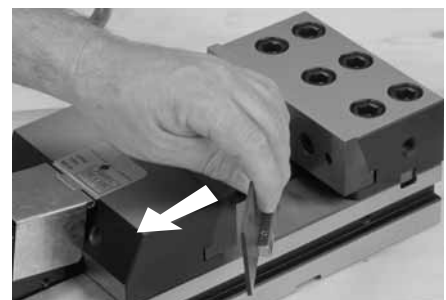
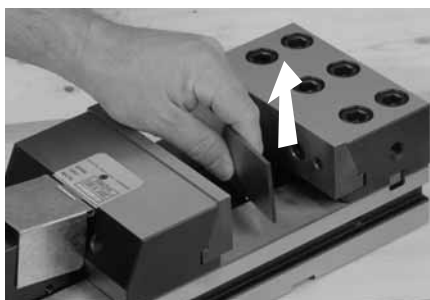
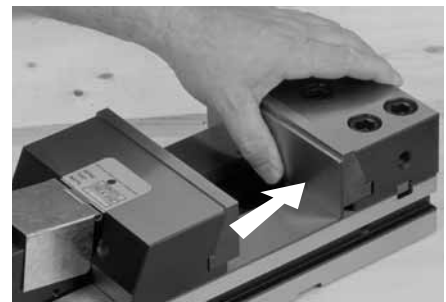
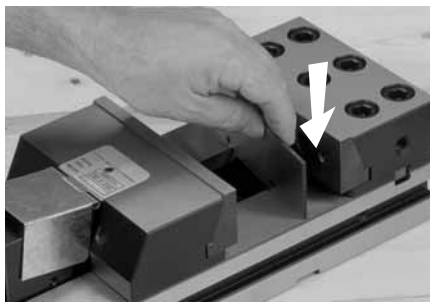
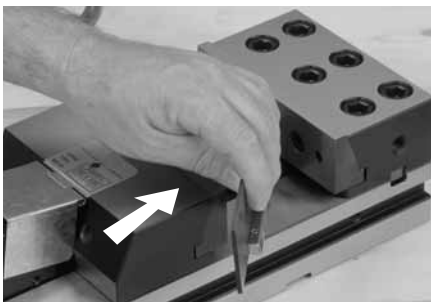
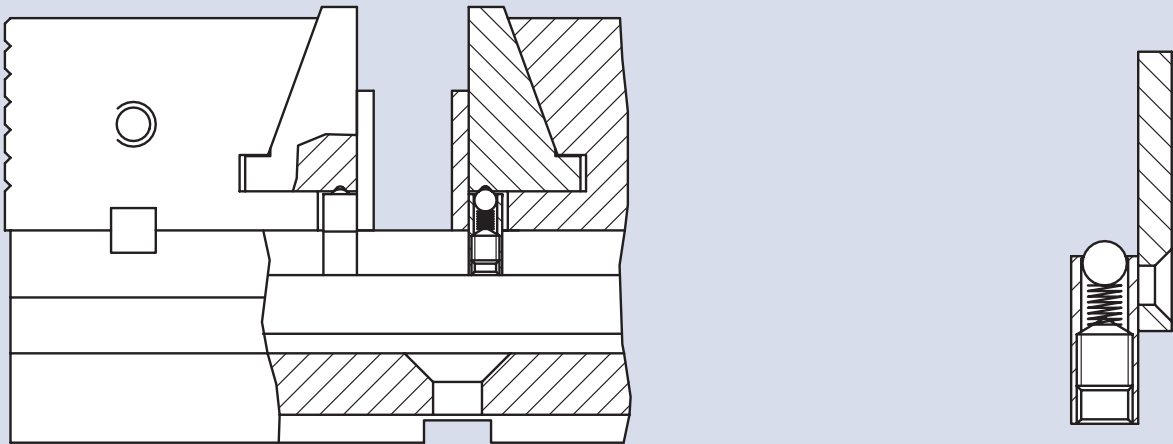
This new patented system allows the quick change of parallels, angular parallels, V-jaws, soft jaws for any type of workpieces.

Benefits:

- Reduce downtime and set-up time
- Elimination of clamps and locks thanks to the patented self locking system
- Increase the accuracy of finished parts and reduce scrap

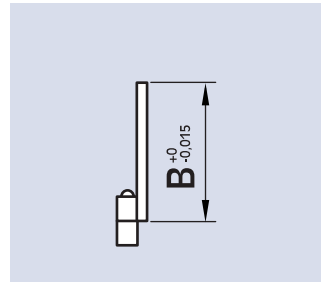
All components are case hardened and precision ground.

The CLAK system can be used for either the TC range or the MC range.





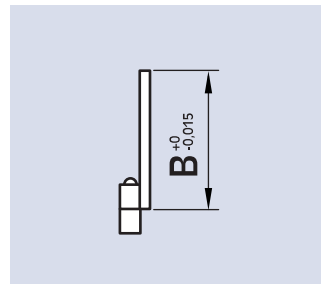
Set of 6 pairs of parallels



| Cod.        | for type     | B<br>mm |    |    |    |    |    |
|-------------|--------------|---------|----|----|----|----|----|
|             |              | 20      | 25 | 30 | 35 | 40 | 45 |
| 58 02 92 06 | MC 150 x ... | 20      | 25 | 30 | 35 | 40 | 45 |
| 58 03 92 06 | MC 200 x ... | 20      | 30 | 40 | 50 | 60 | 65 |



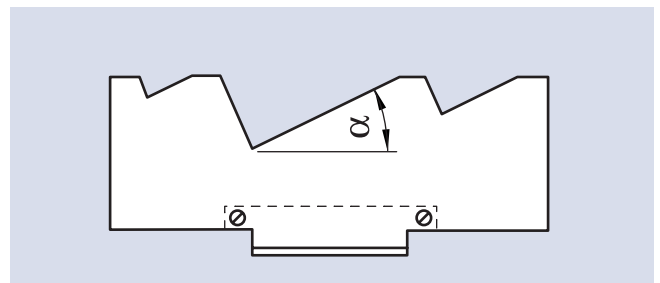
Set of 10 pairs of parallels



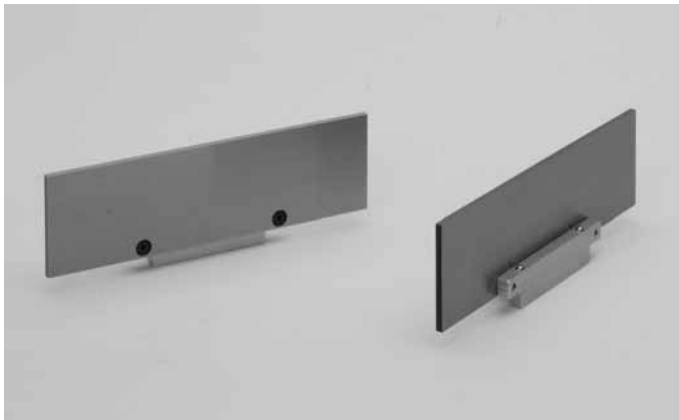
| Cod.        | for type     | B<br>mm |    |    |    |    |    |    |    |    |    |
|-------------|--------------|---------|----|----|----|----|----|----|----|----|----|
|             |              | 12      | 15 | 20 | 25 | 30 | 35 | 40 | 43 | 45 | 47 |
| 58 02 92 10 | MC 150 x ... | 12      | 15 | 20 | 25 | 30 | 35 | 40 | 43 | 45 | 47 |
| 58 03 92 10 | MC 200 x ... | 20      | 25 | 30 | 35 | 40 | 45 | 50 | 55 | 60 | 65 |



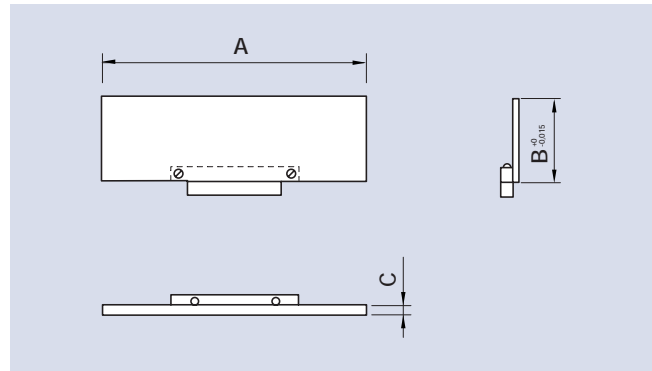
Set of 6 pairs of angular parallels



| Cod.        | for type     | $\alpha$<br>mm |     |     |     |     |     |
|-------------|--------------|----------------|-----|-----|-----|-----|-----|
|             |              | 20°            | 25° | 30° | 35° | 40° | 45° |
| 58 02 93 06 | MC 150 x ... | 20°            | 25° | 30° | 35° | 40° | 45° |
| 58 03 93 06 | MC 200 x ... | 20°            | 25° | 30° | 35° | 40° | 45° |



Pair of parallels



| Cod.        | B<br>mm | A<br>mm | C<br>mm |
|-------------|---------|---------|---------|
| 58 02 35 12 | 12      | 146     | 3       |
| 58 02 35 15 | 15      |         |         |
| 58 02 35 20 | 20      |         |         |
| 58 02 35 25 | 25      |         |         |
| 58 02 35 30 | 30      |         |         |
| 58 02 35 35 | 35      |         |         |
| 58 02 35 40 | 40      |         |         |
| 58 02 35 43 | 43      |         |         |
| 58 02 35 45 | 45      |         |         |
| 58 02 35 47 | 47      |         |         |

for type

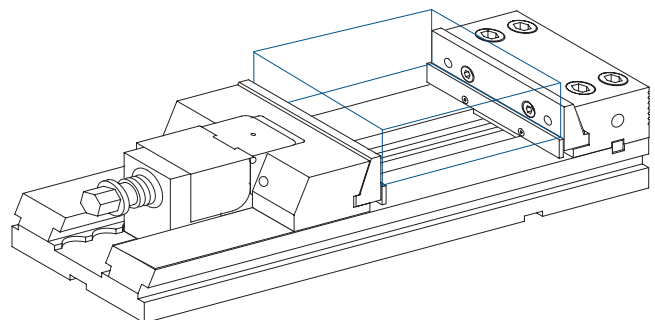
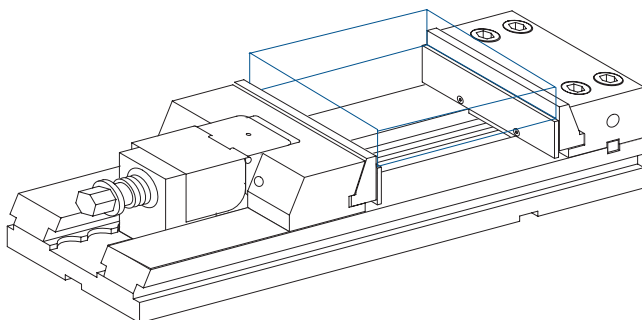
MC 150 x ...

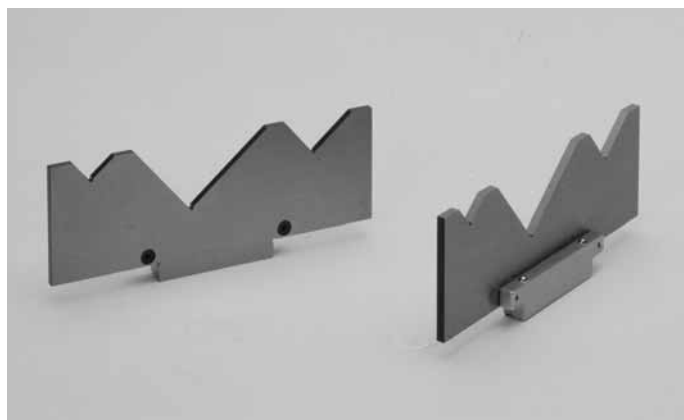
|             | B<br>mm | A<br>mm | C<br>mm |
|-------------|---------|---------|---------|
| 58 03 35 20 | 20      | 196     | 4       |
| 58 03 35 25 | 25      |         |         |
| 58 03 35 30 | 30      |         |         |
| 58 03 35 35 | 35      |         |         |
| 58 03 35 40 | 40      |         |         |
| 58 03 35 45 | 45      |         |         |
| 58 03 35 50 | 50      |         |         |
| 58 03 35 55 | 55      |         |         |
| 58 03 35 60 | 60      |         |         |
| 58 03 35 65 | 65      |         |         |

for type

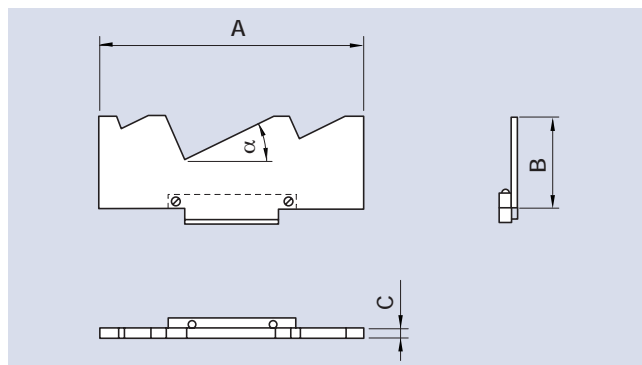
MC 200 x ...

Working examples:





Pair of angular parallels



| Cod.        | $\alpha$<br>mm | A<br>mm | B<br>mm | C<br>mm |
|-------------|----------------|---------|---------|---------|
| 58 02 36 20 | 20             | 146     | 50      | 4       |
| 58 02 36 25 | 25             |         |         |         |
| 58 02 36 30 | 30             |         |         |         |
| 58 02 36 35 | 35             |         |         |         |
| 58 02 36 40 | 40             |         |         |         |
| 58 02 36 45 | 45             |         |         |         |

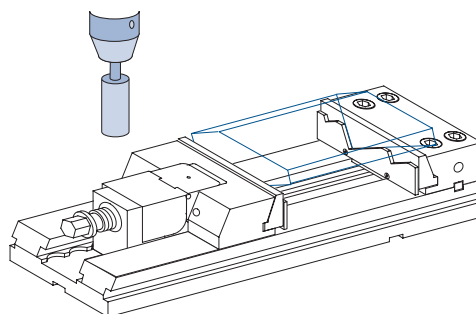
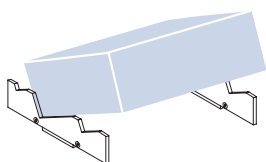
for type  
MC 150 x ...

| Cod.        | $\alpha$<br>mm | A<br>mm | B<br>mm | C<br>mm |
|-------------|----------------|---------|---------|---------|
| 58 03 36 20 | 20             | 196     | 70      | 4       |
| 58 03 36 25 | 25             |         |         |         |
| 58 03 36 30 | 30             |         |         |         |
| 58 03 36 35 | 35             |         |         |         |
| 58 03 36 40 | 40             |         |         |         |
| 58 03 36 45 | 45             |         |         |         |

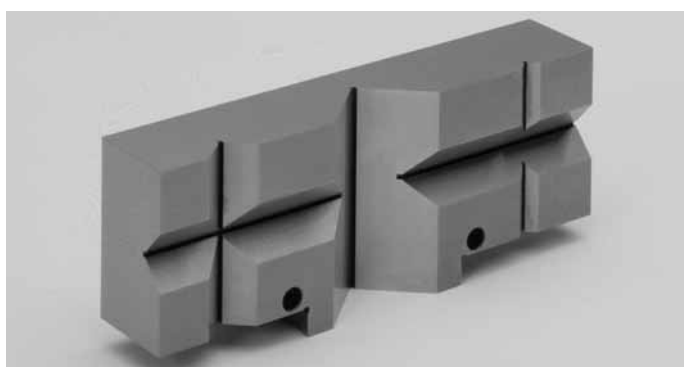
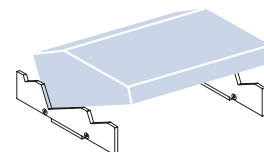
for type  
MC 200 x ...

Working examples:

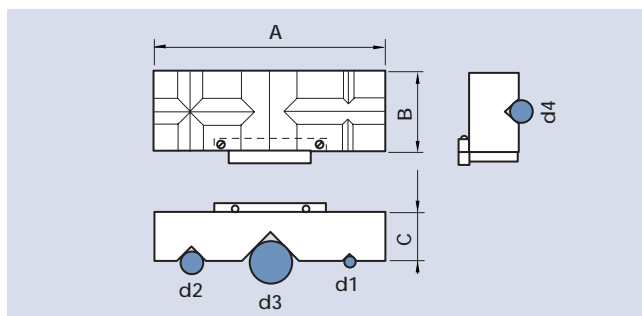
for machining



machined



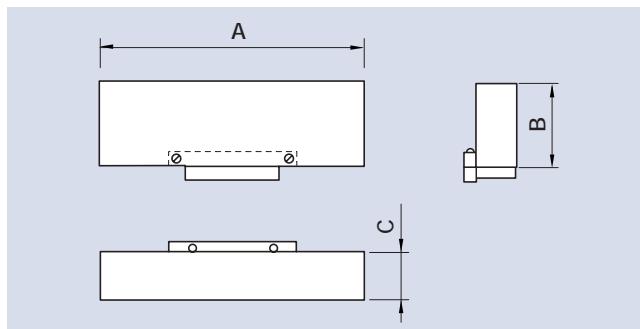
V jaw



| Cod.        | for type     | A<br>mm | B<br>mm | C<br>mm | D1     |        | D2     |        | D3     |        | D4     |        |
|-------------|--------------|---------|---------|---------|--------|--------|--------|--------|--------|--------|--------|--------|
|             |              |         |         |         | MIN-mm | MAX-mm | MIN-mm | MAX-mm | MIN-mm | MAX-mm | MIN-mm | MAX-mm |
| 58 02 94 09 | MC 150 x ... | 146     | 50      | 30      | 3      | 6,5    | 6,5    | 15     | 15     | 35     | 7      | 16     |
| 58 03 94 09 | MC 200 x ... | 196     | 70      | 50      | 6      | 13     | 13     | 30     | 30     | 70     | 15     | 35     |



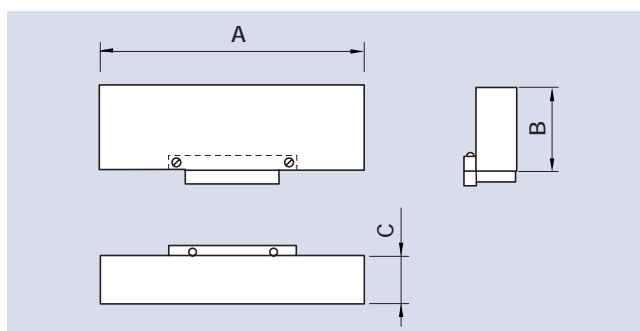
Pair of aluminium jaws



| Cod.        | for type | A<br>mm | B<br>mm | C<br>mm |
|-------------|----------|---------|---------|---------|
| 58 02 95 09 | MC 150   | 146     | 50      | 24      |
| 58 03 95 09 | MC 200   | 196     | 70      | 34      |

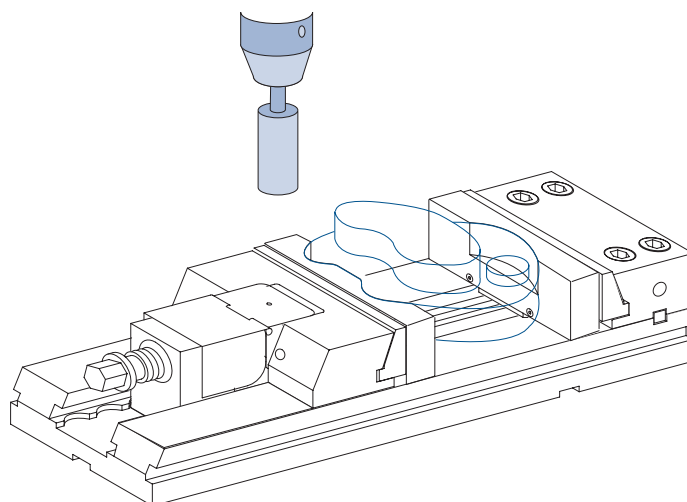


Pair of steel soft jaws



| Cod.        | for type | A<br>mm | B<br>mm | C<br>mm |
|-------------|----------|---------|---------|---------|
| 58 02 96 09 | MC 150   | 146     | 50      | 24      |
| 58 03 96 09 | MC 200   | 196     | 70      | 34      |

Working examples:



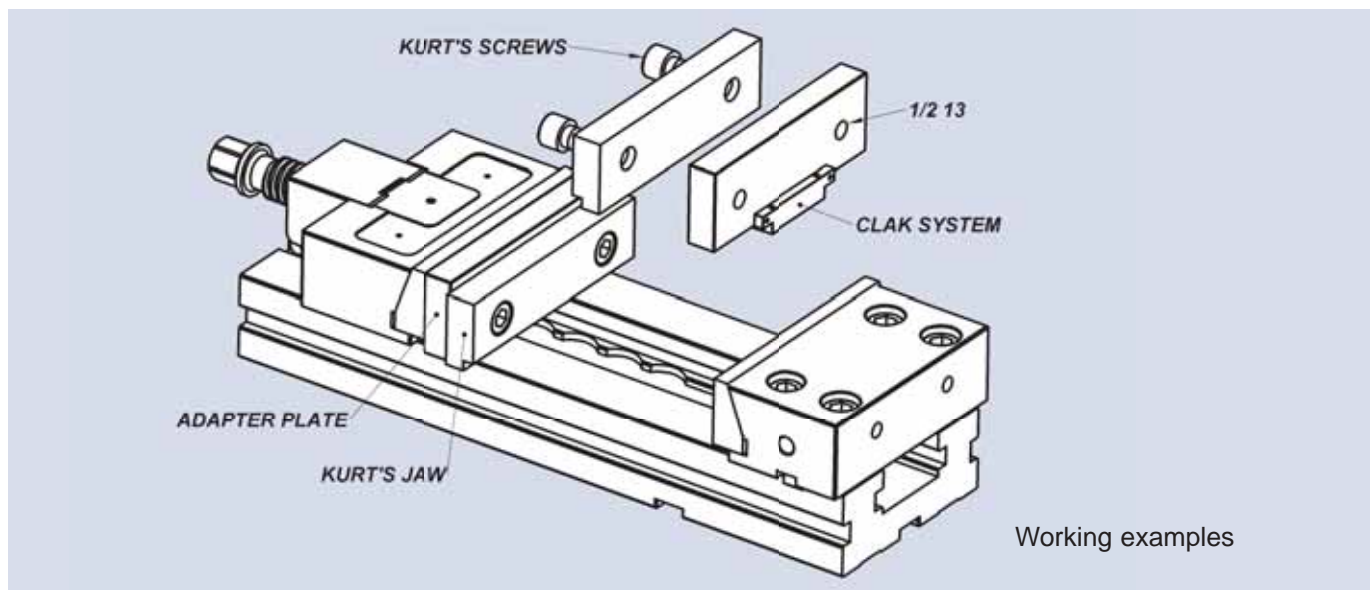
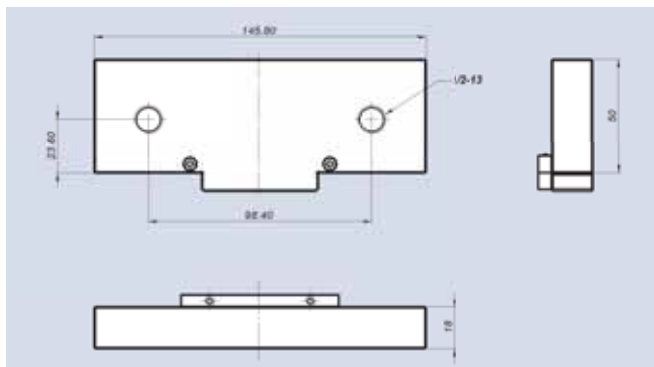
# multiple part clamping

# MULTI-GRIP

## Adapter plate for Kurt jaws

With these jaws it is possible to adapt Kurt jaws to our modular vises

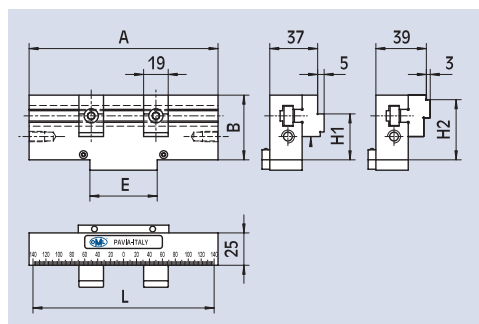
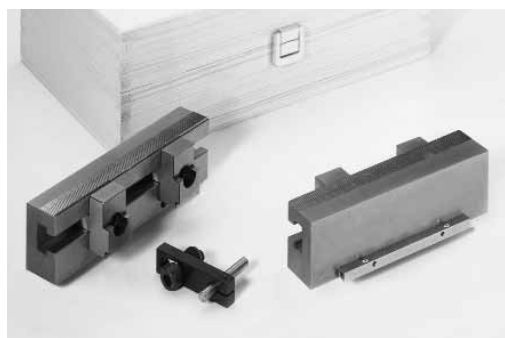
Cod.  
58 06 90 09



4

# Special jaws and accessories

Plus 3D for MC



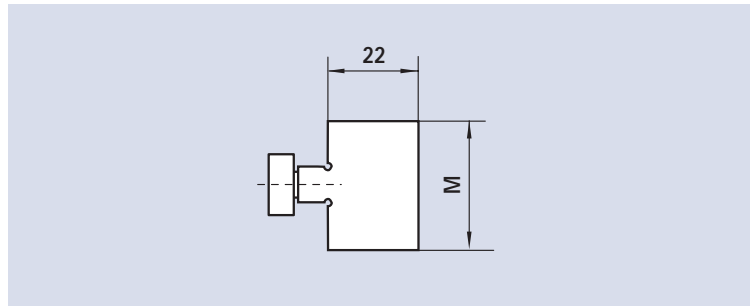
| Cod.        | for type | A mm | B mm | E mm | H1 mm | H2 mm | L mm |
|-------------|----------|------|------|------|-------|-------|------|
| 58 02 91 09 | MC 150   | 146  | 50   | 52   | 35.5  | 46.5  | 140  |

PLUS-3D jaws are indicated for the machining of the workpieces on 3 sides

# Special jaws and accessories

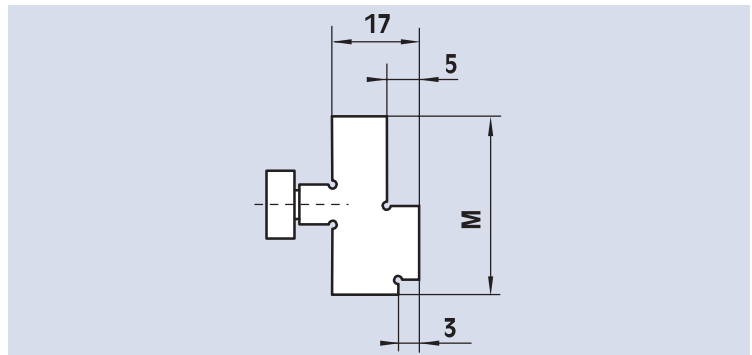
## Soft steel jaw

| Cod.        | for type | M mm |
|-------------|----------|------|
| 58 47 79 09 | MC 150   | 32   |



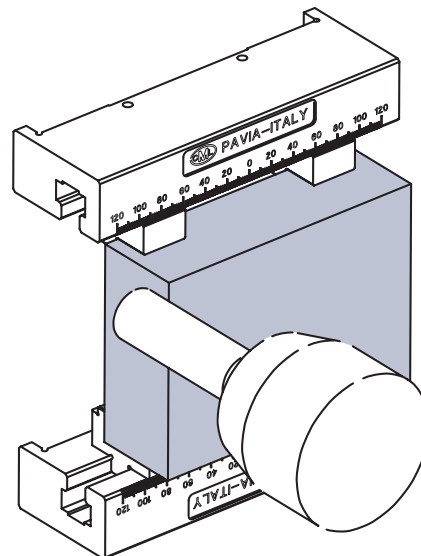
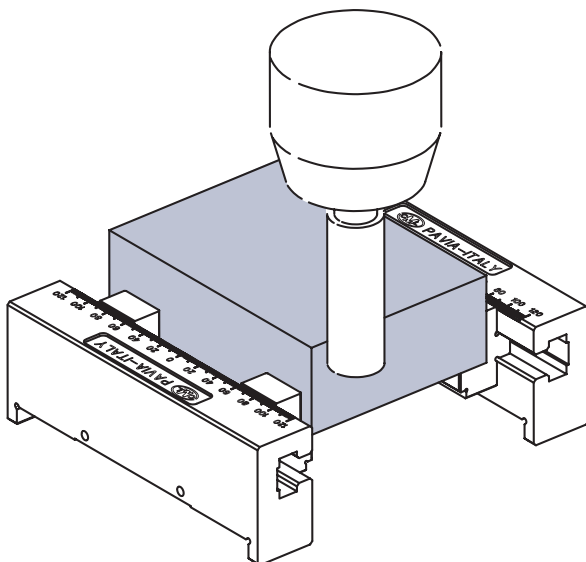
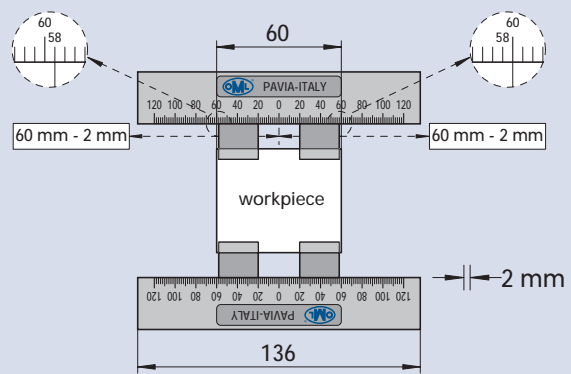
## Formed steel jaw

| Cod.        | for type | M mm |
|-------------|----------|------|
| 58 47 78 09 | MC 150   | 32   |



## Plus 3D

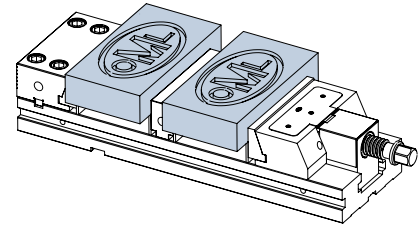
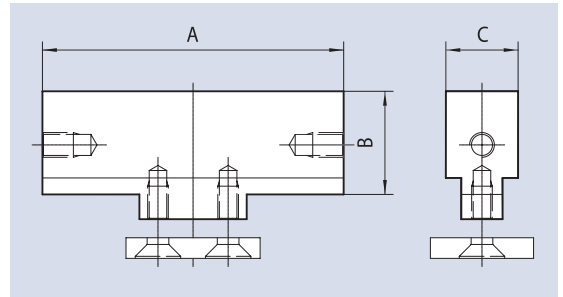
### Application example





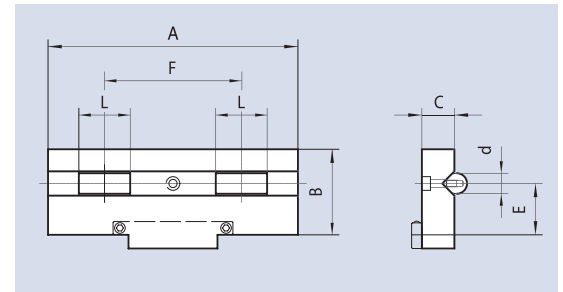
# Special jaws and accessories

## Middle jaw CLAK SYSTEM

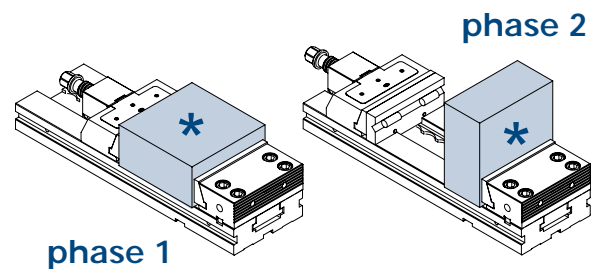


| Cod.        | for type | A mm | B mm | C mm |
|-------------|----------|------|------|------|
| 58 02 41 09 | MC 150   | 146  | 50   | 32   |
| 58 03 41 09 | MC 200   | 196  | 70   | 48   |

## Jaw with rolls

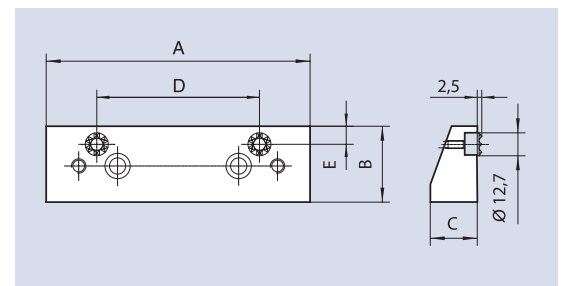


| Cod.        | for type | A mm | B mm | C mm | d mm | E mm | F mm | L mm |
|-------------|----------|------|------|------|------|------|------|------|
| 58 02 97 09 | MC 150   | 146  | 50   | 19   | 12   | 30   | 80   | 30   |
| 58 03 97 09 | MC 200   | 196  | 70   | 28   | 16   | 40   | 110  | 40   |

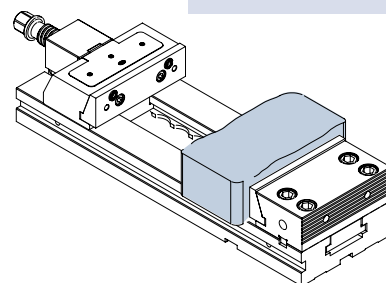


\* machined surface

## Pair of jaws with grippers UGE



for raw workpieces



| Cod.        | for type | A mm | B mm | C mm | D mm | E mm |
|-------------|----------|------|------|------|------|------|
| 58 02 45 09 | MC 150   | 146  | 42   | 26   | 90   | 10   |
| 58 03 45 09 | MC 200   | 196  | 60   | 31   | 160  | 12   |

# Special jaws and accessories

Pair of jaws "GRIP"  
with included 1 pair of parallels CLAK



| Cod.        | for type | H PARALLELS<br>mm |
|-------------|----------|-------------------|
| 58 06 51 09 | MC 150   | 48                |

These jaws allows to blank the workpiece.  
This is possible because the workpiece  
can be clamped for only 2mm

